

# BAXI

## SPARE PARTS LIST



**Slim**  
2000

### ONLY HEATING MODELS

May 2004



## COME SI CONSULTA IL CATALOGO RICAMBI

Dopo le tavole esplosi caldaie si trovano le liste dei componenti delle caldaie, suddivise in varie colonne, con il seguente significato:

<b>Pos.</b>	Numero di identificazione del componente nella tavola esplosa della caldaia.
<b>Descrizione</b>	Breve descrizione del componente.
<b>Code</b>	Codice BAXI S.p.A. del componente.
<b>Slim XX</b>	XX è il numero della tavola esplosa caldaia riferita al modello in esame.
<b>From serial number</b>	Data (anno e settimana) di inizio produzione di un componente (prime quattro cifre della targa matricola caldaia). Esempio: <b>B005: anno 2000</b> (B indica il decennio 2000-2009; 0 indica l'anno) - <b>5<sup>a</sup> settimana</b> . Se la casella è vuota significa che il componente è in uso dall'inizio produzione del modello di caldaia.
<b>To serial number</b>	Data (anno e settimana) di fine produzione di un componente (prime quattro cifre della targa matricola caldaia). Esempio: <b>B012: anno 2000 – 12<sup>a</sup> settimana</b> (N.B. la data di fine produzione è da considerarsi indicativa). Se la casella è vuota significa che il componente è ancora in uso.
<b>Interchangeable</b>	Intercambiabilità tra nuovo componente entrato in produzione e vecchio componente uscito dalla produzione. YES: il nuovo componente è intercambiabile con quello vecchio. NO: il nuovo componente <u>non</u> è intercambiabile con quello vecchio.

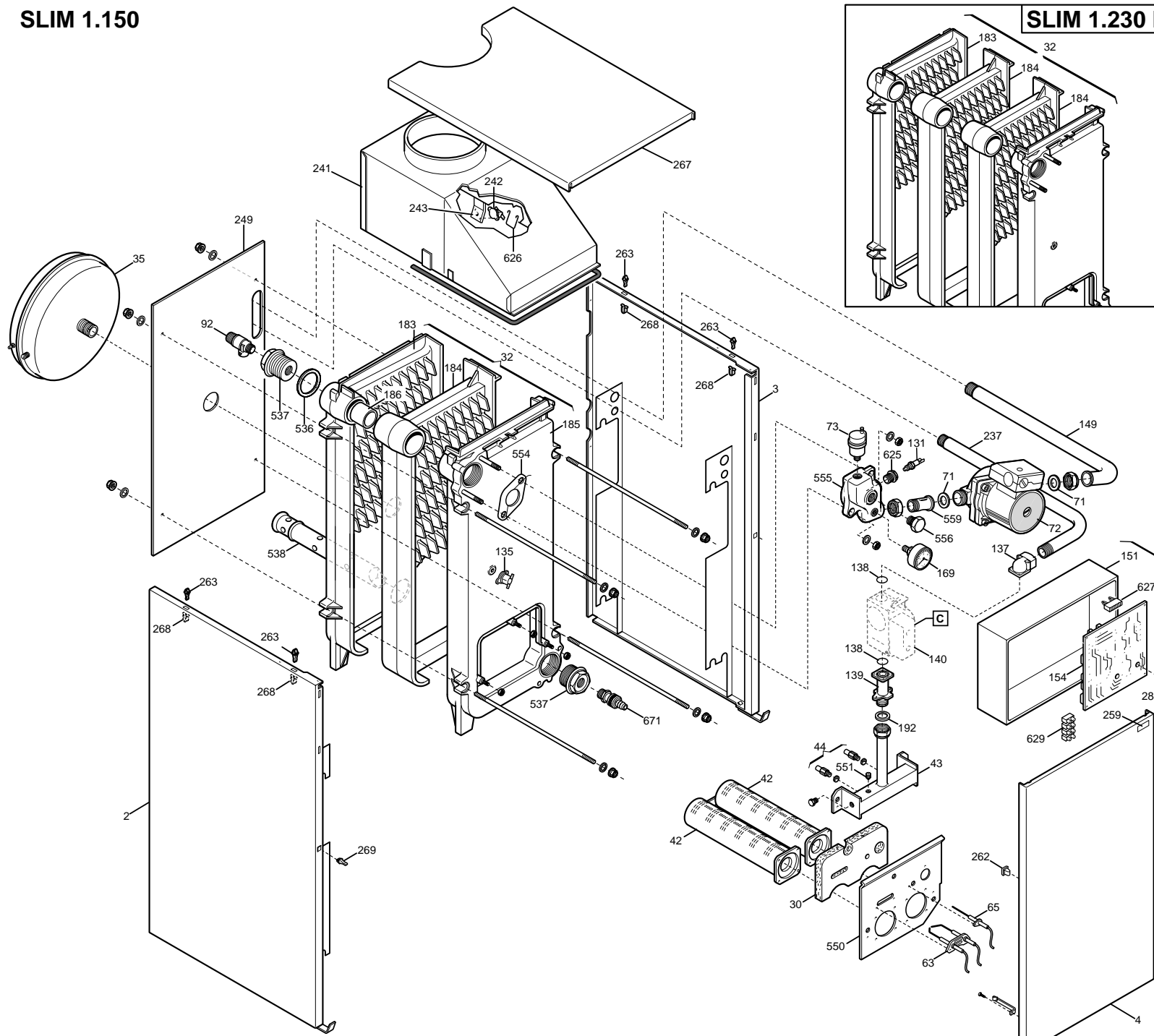


## HOW TO READ THE SPARE PARTS CATALOGUE

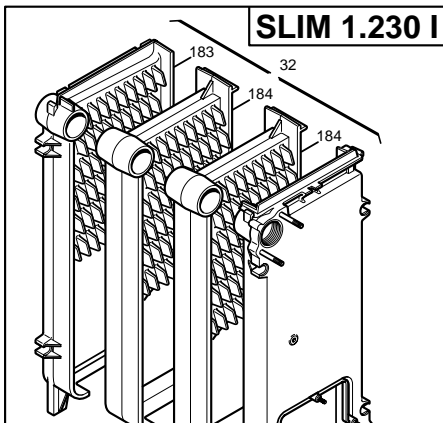
In the spare part catalogue, after the exploded diagrams, there are the components lists of the boilers; this is the meaning of the different columns:

<b>Pos.</b>	Identification number of the component in the exploded diagram of the boiler.
<b>Description</b>	Short description of the component.
<b>Code</b>	BAXI S.p.A. code of the component.
<b>Slim XX</b>	XX is the exploded diagram number of the boiler taken into consideration.
<b>From serial number</b>	Date (year and week) identifying the beginning of production of a component (taken from the serial number of the boiler). e.g. <b>B005: year 2000</b> (B identifies the decade 2000-2009; 0 identifies the year) – <b>5<sup>th</sup> week</b> . If the box is empty, the component is in use from the beginning of production of the boiler.
<b>To serial number</b>	Date (year and week) identifying the end of production of a component (taken from the serial number of the boiler). e.g. <b>B012: year 2000</b> (B identifies the decade 2000-2009; 0 identifies the year) – <b>12<sup>th</sup> week</b> . If the box is empty, the component is still in use.
<b>Interchangeable</b>	It identifies the interchangeability between the new component and the old one. YES: components are interchangeable. NO: components are <u>not</u> interchangeable.

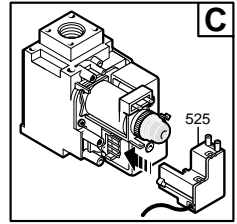
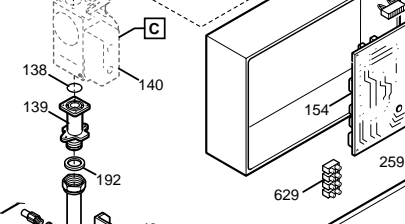
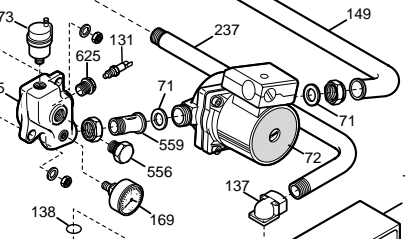
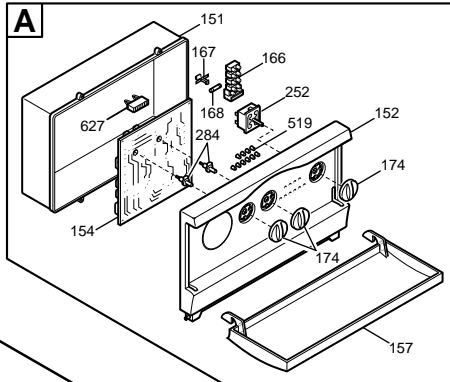
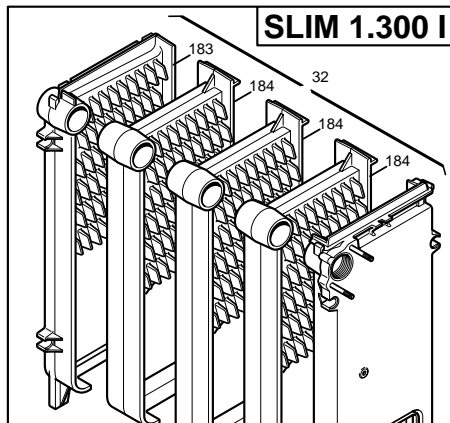
**SLIM 1.150**



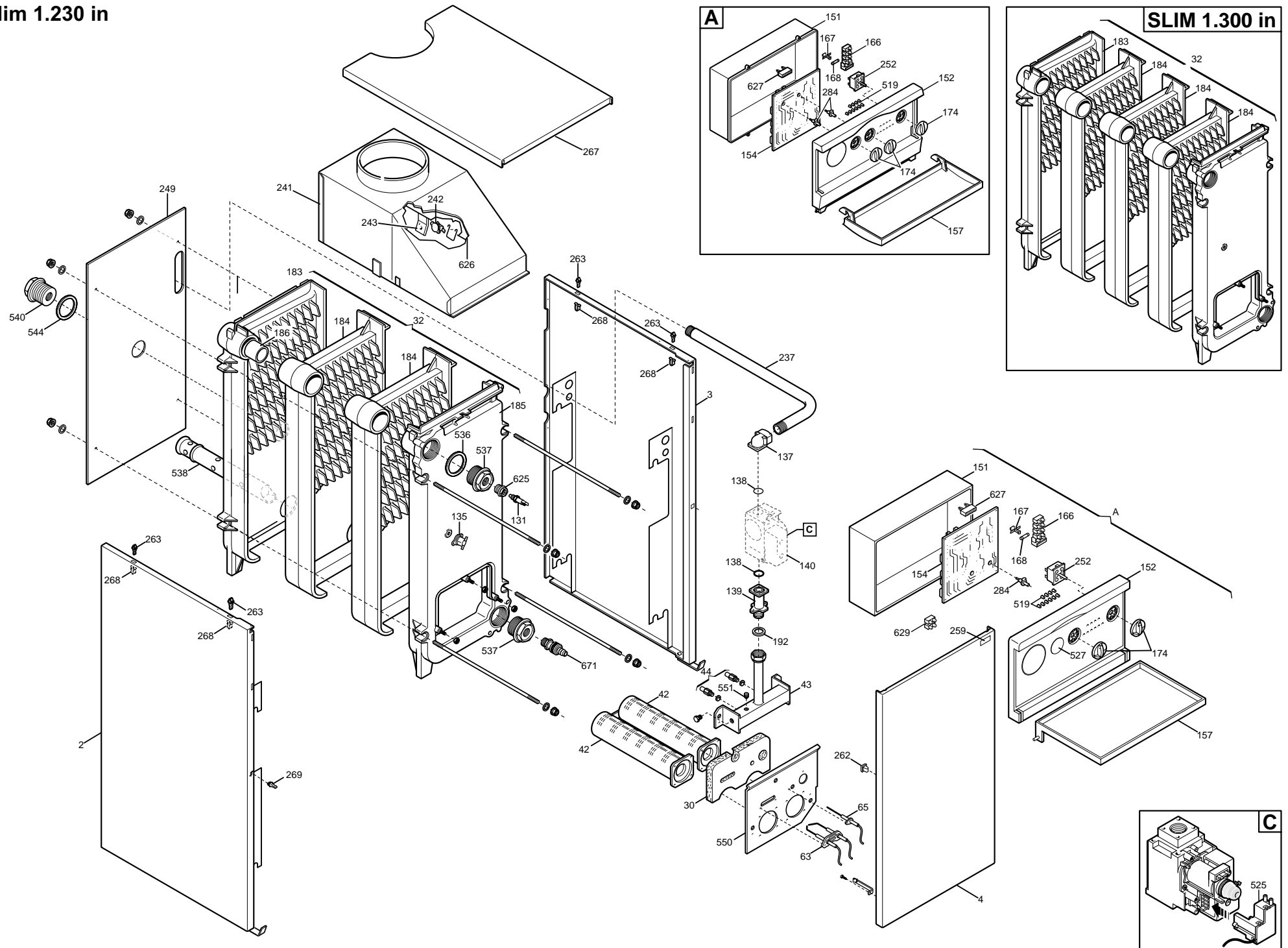
**SLIM 1.230 I**



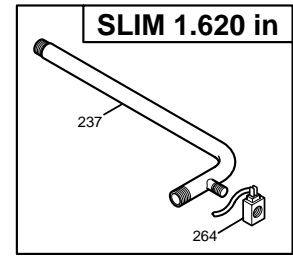
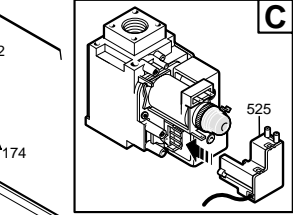
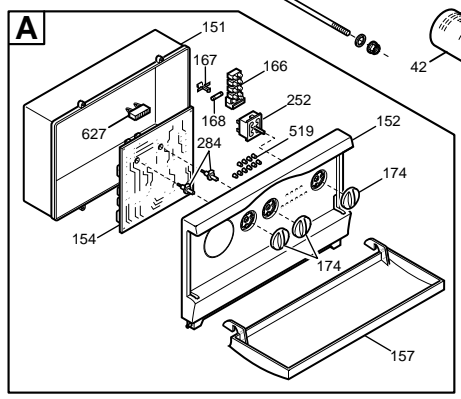
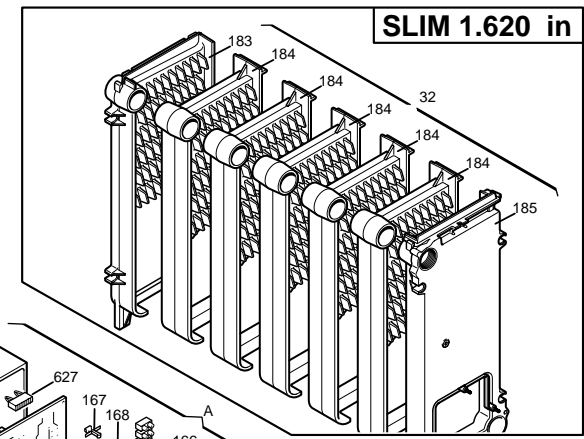
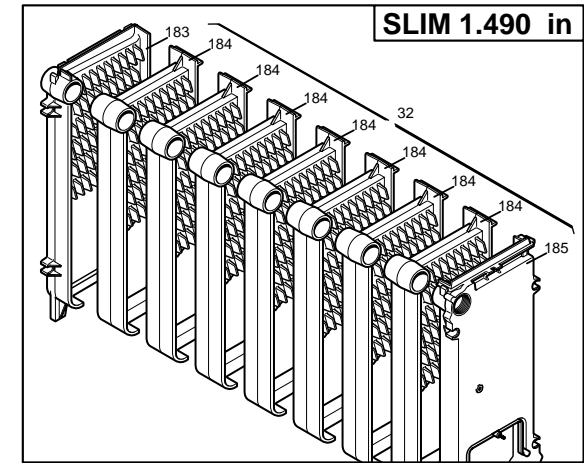
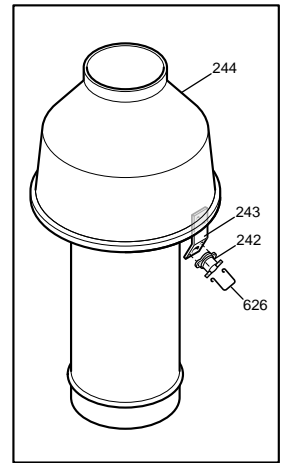
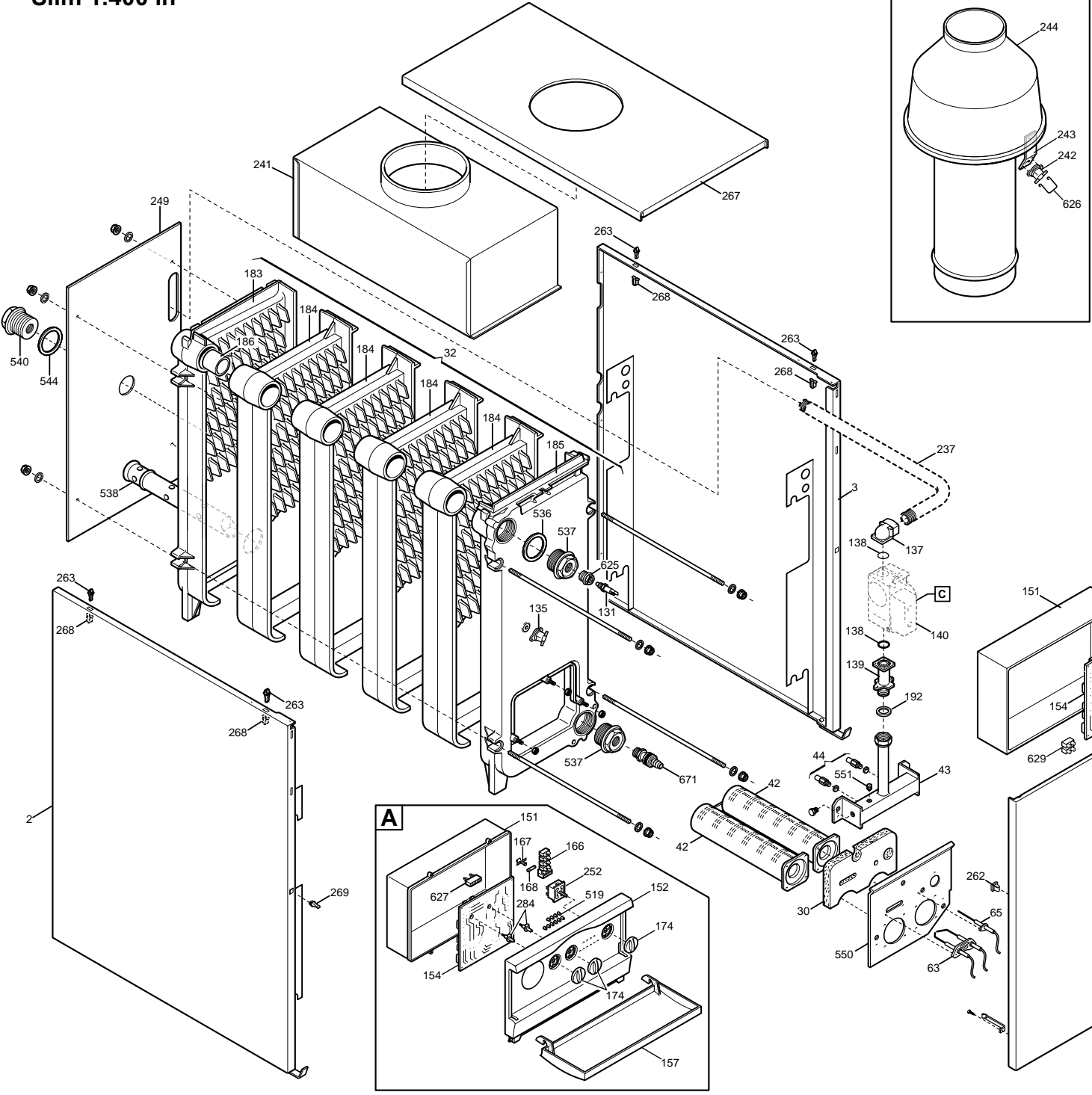
**SLIM 1.300 I**



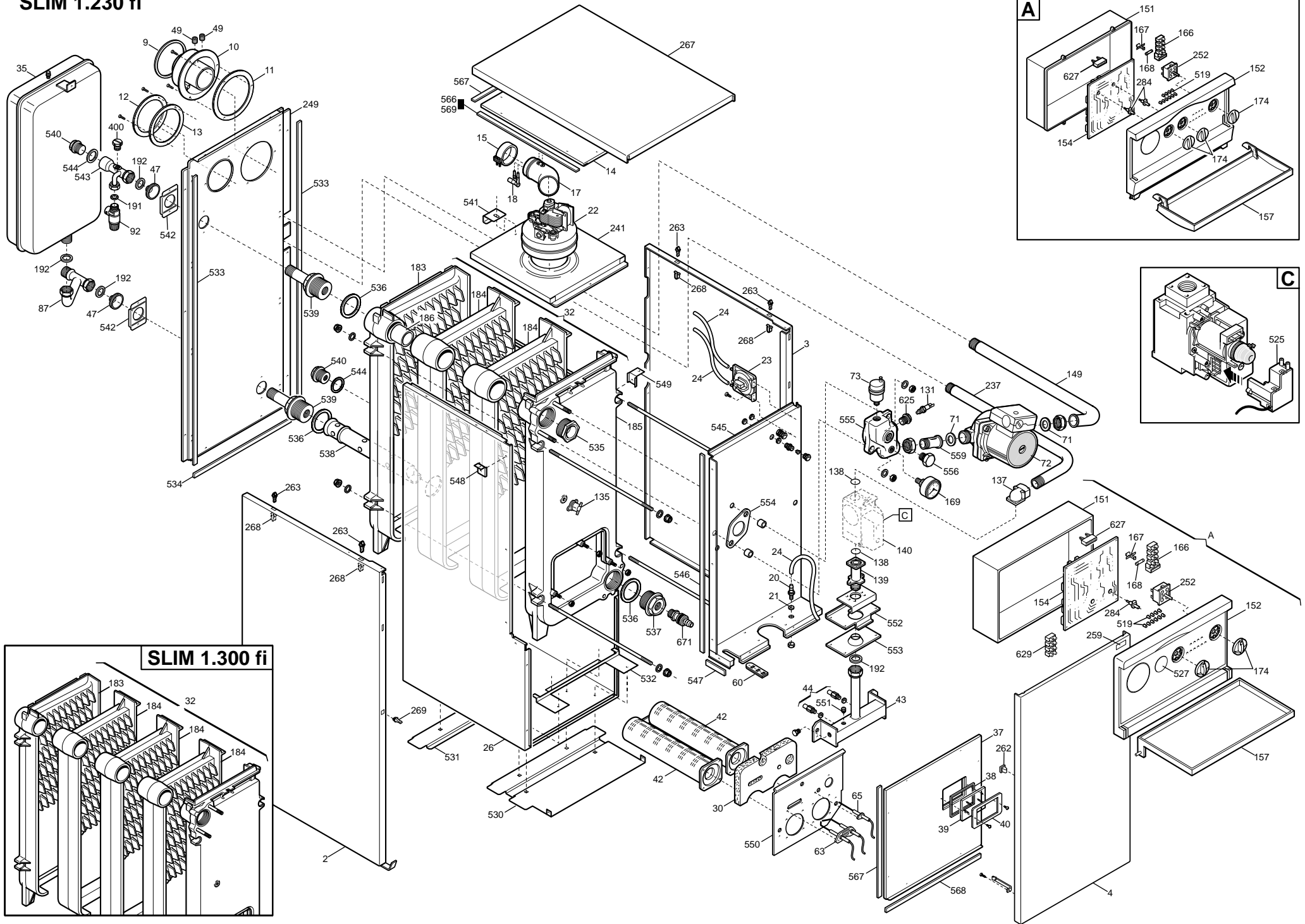
# Slim 1.230 in



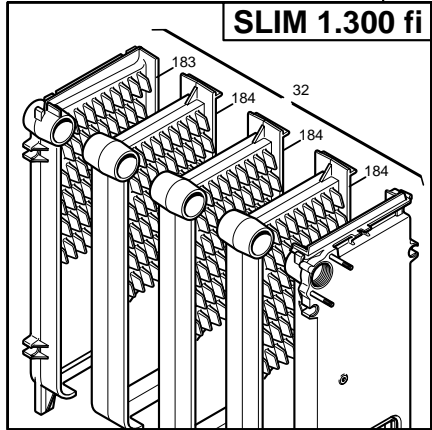
# Slim 1.400 in



# SLIM 1.230 fi



## SLIM 1.300 fi









# SLIM - ONLY HEATING -

Pos.	Descrizione	Code	<div style="display: flex; justify-content: space-between; font-size: 8px; text-align: center;"> <span>WSPB431153010-1 - SLIM L 150I</span> <span>WSPB431233010-1 - SLIM L 230I 4E</span> <span>WSPB431233470-1 - SLIM L 230I 4E</span> <span>WSPB431363010-1 - SLIM L 230IN 4E</span> <span>WSPB431363470-1 - SLIM L 300I 5E</span> <span>WSPB431363470-1 - SLIM L 300IN 5E</span> <span>WSPB431463470-1 - SLIM L 400IN 6E</span> <span>WSPB431623470-1 - SLIM L 490IN 7E</span> <span>WSPB433233010-1 - SLIM L 620IN 9E</span> <span>WSPB433233470-1 - SLIM L 230 FI 4E</span> <span>WSPB433303010-1 - SLIM L 230 FI</span> <span>WSPB433303470-1 - SLIM L 300 FI</span> </div>												01/05/2004			
			SLIM 01	SLIM 01	SLIM 02	SLIM 01	SLIM 02	SLIM 03	SLIM 03	SLIM 03	SLIM 04	SLIM 05	SLIM 04	SLIM 05	From serial number	To serial number	Inter-changeable	
2	GR. SPALLA SX 3E 039	LEFT PANEL ASSEMBLY -3E-	3618370	•														
2	GR. SPALLA SX 4E 039	LEFT PANEL ASSEMBLY -4E	3618390		•	•												
2	GR. SPALLA SX 4E 039 FF	LEFT PANEL ASSEMBLY -4E 039FF-	3618630									•	•					
2	GR. SPALLA SX 5E 039	LEFT PANEL ASSEMBLY -5E-	3618410				•	•										
2	GR. SPALLA SX 5E 039 FF	LEFT PANEL ASSEMBLY -5E 039FF-	3618650											•	•			
2	GR. SPALLA SX 6E 039	LEFT PANEL ASSEMBLY -6E- 039	3618430						•									
2	GR. SPALLA SX 7E 039	LEFT PANEL ASSEMBLY -7E- 039	3618450							•								
2	GR. SPALLA SX 9E 039	LEFT PANEL ASSEMBLY -9E- 039	3618470								•							
3	GR. SPALLA DX 3E 039	RIGHT PANEL ASSEMBLY -3E- 039	3618360	•														
3	GR. SPALLA DX 4E 039 FF	RIGHT PANEL ASSEMBLY -4E 039 FF-	3618620									•	•					
3	GR. SPALLA DX 4E GRIGIA	RIGHT PANEL ASSEMBLY -4E GRIGIA-	3618380		•	•												
3	GR. SPALLA DX 5E 039	RIGHT PANEL ASSEMBLY -5E - 039	3618400				•	•										
3	GR. SPALLA DX 5E FF	RIGHT PANEL ASSEMBLY -5E-FF	3618640											•	•			
3	GR. SPALLA DX 6E 039	RIGHT PANEL ASSEMBLY -6E- 039	3618420						•									
3	GR. SPALLA DX 7E 039	RIGHT PANEL ASSEMBLY -7E-039	3618440							•								
3	GR. SPALLA DX 9E 039	RIGHT PANEL ASSEMBLY -9E-039	3618460								•							
4	GR. PORTA 350 MM 039 GRIGIO	DOOR ASSEMBLY 350MM	3618500	•	•	•	•	•	•	•	•							
4	GR. PORTA 350 MM FF	DOOR ASSEMBLY 350MM FF	3618680									•	•	•	•			
6	DADO G1 FORO 28MM	SCREW NUT G1 (HOLE 28MM)	3200950	•	•		•					•		•				
9	RIDUZIONE ASP.CONCENTRICO D.76	AIR RESTRICTOR D.76	3105470									•	•					
9	RIDUZIONE ASPIRAZIONE D.80	AIR RESTRICTOR D.80	5108700											•	•			
10	RACCORDO FLANG. SCAR. FUMI	FLUE CONNECTION	5207060									•	•	•	•			
11	GUARNIZIONE RACCORDO FLANG.	FLUE CONNECTION GASKET	5407890									•	•	•	•			
12	TAPPO ASPIRAZIONE	SUCTION CAP	5108690									•	•	•	•			
13	GUARNIZIONE TAPPO ASPIRAZIONE	SUCTION CAP GASKET	5407400									•	•	•	•			
14	COPERCHIO CAMERA ST. 4E 039 FF	SEALED CHAMBER COVER 4E FF	3108540									•	•					
14	COPERCHIO CAMERA ST. 5E 039 FF	SEALED CHAMBER COVER 5E FF	3108550											•	•			
15	ASS.GIUNTO COLLEG.CURVA D60X22	JOINT ASSEMBLY D.60X22	600530									•	•	•	•			
17	CURVA CONVOGLIATORE	CONVEYOR BEND	5211090									•	•	•	•			
18	VENTURI D.15 DOPPIA PRESA	FLUE VENTURI D.15	5407050									•	•	•	•			
20	PORTAGOMMA M6	HOSE ADAPTER M6	5207050									•	•	•	•			
21	GUARNIZIONE 6,1X11,5X1,5 WRC	GASKET 6,1X11,5X1,5 WRC	5402050									•	•	•	•			
22	VENTILATORE 1V MVL RLG108	FAN MVL -1 SPEED-	5653850									•	•	•	•			
23	PRESSOST.FUMI HON.C6065A1010-2	FLUE PRESSURE SWITCH -HONEYWELL-	5617550									•	•	•	•			
24	TUBO PRESSOSTATO 4,5X8 L300 AR	PRESSURE SWITCH PIPE L=300	5402490									•	•	•	•			
26	INVOLUCRO AD U C.S. 4E 039 FF	SEALED CHAMBER CASE 4E	3108300									•	•					
26	INVOLUCRO AD U C.S. 5E	SEALED CHAMBER CASE 5E	3108310											•	•			
30	ISOL. SCHERMO RAMPA 039 IONO	RAMP SHIELD INSULATION	3202520	•	•	•	•	•	•	•	•	•	•	•	•			

# SLIM - ONLY HEATING -

Pos.	Descrizione	Code	<div style="display: flex; justify-content: space-between; font-size: 8px;"> <span>WSPB431153010-1 - SLIM 1_150I</span> <span>WSPB431230010-1 - SLIM 1_230I 4E</span> <span>WSPB431233470-1 - SLIM 1_230 IN 4E</span> <span>WSPB431368010-1 - SLIM 1_300I 4E</span> <span>WSPB431368470-1 - SLIM 1_300 IN 4E</span> <span>WSPB431368470-1 - SLIM 1_300I 5E</span> <span>WSPB431403470-1 - SLIM 1_300 IN 5E</span> <span>WSPB431468470-1 - SLIM 1_400 IN 6E</span> <span>WSPB431623470-1 - SLIM 1_620 IN 7E</span> <span>WSPB433230010-1 - SLIM 1_230 IN 6E</span> <span>WSPB43323470-1 - SLIM 1_230 FI 4E</span> <span>WSPB433303010-1 - SLIM 1_230 FI</span> <span>WSPB433303470-1 - SLIM 1_300 FI</span> <span>WSPB433303470-1 - SLIM 1_300 FI</span> </div>												01/05/2004			
			SLIM 01	SLIM 01	SLIM 02	SLIM 01	SLIM 02	SLIM 03	SLIM 03	SLIM 03	SLIM 04	SLIM 05	SLIM 04	SLIM 05	From serial number	To serial number	Inter-changeable	
32	CORPO CALDAIA 3E 039/B	HEAT EXCHANGER ASSEMBLY 3E	3611660	•														
32	CORPO CALDAIA 4E 039	HEAT EXCHANGER ASSEMBLY 4E	3611670		•	•												
32	CORPO CALDAIA 4E 039 FF	HEAT EXCHANGER ASSEMBLY 4E FF	3616870									•	•					
32	CORPO CALDAIA 5E 039	HEAT EXCHANGER ASSEMBLY 5E	3611680				•	•										
32	CORPO CALDAIA 5E 039 FF	HEAT EXCHANGER ASSEMBLY 5E FF	3616880											•	•			
32	CORPO CALDAIA 6E 039/B	HEAT EXCHANGER ASSEMBLY 6E	3611690						•									
32	CORPO CALDAIA 7E 039/B	HEAT EXCHANGER ASSEMBLY 7E	3611700							•								
32	CORPO CALDAIA 9E 039/B	HEAT EXCHANGER ASSEMBLY 9E	3611710								•							
35	V.E.10L D.325 ATT.CENTR.G3/4	EXPANSION VESSEL 10L	9930020	•	•		•											
35	VASO ESPANSIONE RP 250 10 L	EXPANSION VESSEL 10L	3616830									•		•				
37	CASSETTO C.S. 039 FF RIPRESO	SEALED CHAMBER CHEST	3616920									•	•	•	•			
38	GUARNIZIONE PER VETRINO	INSPECTION GLASS GASKET	5401610									•	•	•	•			
39	VETRINO ISPEZIONE FIAMMA	INSPECTION GLASS	5203930									•	•	•	•			
40	CORNICE PER VETRINO C.S.	INSPECTION GLASS FRAME	5103360									•	•	•	•			
42	BRUC. MULTIGAS 3E MOD. 239/12	BURNER ELEMENT 3E	3602420	•														
42	BRUC. MULTIGAS 4E MOD. 240/12	BURNER ELEMENT 4E	3602430		•	•						•	•					
42	BRUC. MULTIGAS 5E 104015800	BURNER ELEMENT 5E	3602440				•	•						•	•			
42	BRUC. MULTIGAS 6E MOD. 226/12	BURNER ELEMENT 6E	3602450						•									
42	BRUC. MULTIGAS 7E MOD. 227/12	BURNER ELEMENT 7E	3602460							•								
42	BRUC. MULTIGAS 9E MOD. 271/12A	BURNER ELEMENT 9E	3602480								•							
43	RAMPA GAS 039 TANDEM	GAS RAMP	3614390	•	•	•	•	•	•	•	•	•	•	•	•			
44	GR. UG. GPL-6E PN CE (I-S-P)	LPG INJECTORS KIT -6E-PN CE (I-S-P)	3607140						•									
44	GR. UG. GPL-7E PN CE (I-S-P)	LPG INJECTORS KIT -7E- PN CE (I-S-P)	3607150							•								
44	GR. UG. GPL-9E PN CE (I-S-P)	LPG INJECTORS KIT -9E-PN CE (I-S-P)	3607160								•							
44	GR. UG. MET. 3E	NATURAL GAS INJECTORS KIT -3E-	609520	•														
44	GR. UG. MET. 5E PN-IPV-IA50	NATURAL GAS INJECTORS KIT -5E- PN-IPV - IA50	609540				•	•						•	•			
44	GR.UG.GPL-3E PN-IPV CE (I-S-P)	NATURAL GAS INJECTORS KIT -3E- PN-IPV CE (I-S-P)	3607110	•														
44	GR.UG.GPL-4E PN-IPV-IA50 I-S-P	NATURAL GAS INJECTORS KIT -4E- PN-IPV-IA50 (I-S-P)	3607120		•	•						•	•					
44	GR.UG.GPL-5E PN-IPV-IA50 I-S-P	NATURAL GAS INJECTORS KIT -5E- PN-IPV - IA50 I-S-P	3607130				•	•						•	•			
44	GR.UG.MET-4E PN-IPV-IA50	NATURAL GAS INJECTORS KIT -4E- PN-IPV IA50	609530		•	•						•	•					
47	GUARNIZ. TUBO ALIMENTAZ. GAS	GAS PIPE GASKET	5404740									•	•	•	•			
49	TAPPO M14X1-RAC. FLANG.	FLUE FLANGE PLUG M14X1	5207070									•	•	•	•			
60	GUARNIZIONE CAVI CANDELE (FI)	ELECTRODE CABLE GASKET (FF)	5406600									•	•	•	•			
63	GR. CANDELE AC.ELET.C/CAVI 400	IGNITION ELECTRODES WITH CABLE 400	8620300	•	•	•	•	•	•	•	•	•	•	•	•			
65	SONDA IONIZ.CAVO L=1M-F4,8X0,8	FLAME SENSING ELECTRODE WITH CABLE	8620290	•	•	•	•	•	•	•	•	•	•	•	•			
71	GUARNIZIONE G1 22X30,3X2 WRC	PUMP GASKET G1 22X30,3X2 WRC	5405000	•	•		•					•		•				
72	POMPA UPS 15-50 G1 H6	PUMP- UPS 15-50 G1 H6-	3611300	•	•		•					•		•				
73	VALVOLA AUTOMAT. SFOGO ARIA	AUTOMATIC AIR VENT VALVE	5600731	•	•		•					•		•				



# SLIM - ONLY HEATING -

Pos.	Descrizione	Code	WSPB431153010-1 - SLIM 1_150I WSPB431230010-1 - SLIM 1_230I 4E WSPB431233470-1 - SLIM 1_230IN4E WSPB431368010-1 - SLIM 1_300I 5E WSPB431368470-1 - SLIM 1_300IN5E WSPB431403470-1 - SLIM 1_400IN6E WSPB431463470-1 - SLIM 1_460IN7E WSPB431623470-1 - SLIM 1_620IN9E WSPB433233010-1 - SLIM 1_230FI4E WSPB433303010-1 - SLIM 1_300FI WSPB433303470-1 - SLIM 1_300FIN												01/05/2004				
			SLIM 01	SLIM 01	SLIM 02	SLIM 01	SLIM 02	SLIM 03	SLIM 03	SLIM 03	SLIM 04	SLIM 05	SLIM 04	SLIM 05	From serial number	To serial number	Inter-changeable		
237	TUBO G1/2 ENTRATA GAS 4E 039	GAS INLET PIPE G1/2 -3E-	3101430		•	•													
237	TUBO G1/2 ENTRATA GAS 5E 039	GAS INLET PIPE G1/2 -4E-	3101440				•	•											
237	TUBO GAS G3/4 - 1/2 V.G. GAS	GAS INLET PIPE G1/2 -5E-	3616700									•							
241	CAPPA FUMI 039 FF 4E	DRAUGHT DIVERTER -4E FF-	3108340										•	•					
241	CAPPA FUMI 3E 039 D.110MM	DRAUGHT DIVERTER D.110 -3E-	3618230	•															
241	CAPPA FUMI 4E 039 D. 130	DRAUGHT DIVERTER D.130 -4E-	3618240		•	•													
241	CAPPA FUMI 5E 039 D.140 MM	DRAUGHT DIVERTER D.140 -5E-	3618250				•	•											
241	CAPPA FUMI 5E FF 039	DRAUGHT DIVERTER -5E FF-	3108350											•	•				
241	CAPPA FUMI 6E 039 STRIP 70MM	DRAUGHT DIVERTER D.160 -6E-	3606170						•										
241	CAPPA FUMI 7E 039 STRIP 60MM	DRAUGHT DIVERTER D.160 -7E-	3606180							•									
241	CAPPA FUMI 9E 039 STRIP 50MM	DRAUGHT DIVERTER D.180 -9E-	3606210								•								
242	TH FUMI 70°-FAST.PIEG-COLLAUD.	FLUE THERMOSTAT 70°	600870	•	•	•	•	•	•	•	•								
243	SQ. SUPPORTO TH. FUMI	FLUE THERMOSTAT SUPPORT	3107480	•	•	•	•	•	•	•	•								
244	ANTIREFOULEUR D.160MM+IMBALLO	FLUE TERMINAL (ANTIREFOULER) D.160	3603960						•	•									
244	ANTIREFOULEUR D.180MM+IMBALLO	FLUE TERMINAL (ANTIREFOULER) D.180	3603990								•								
249	POSTERIORE C.S. 039 FF	SEALED CHAMBER REAR PANEL	3108400									•	•	•	•				
249	SCHIENALE 039SE	COMBUSTION CHAMBER REAR PANEL	3100210	•	•	•	•	•	•	•	•								
252	COMMUT.ROTATIVO GOTTA 4 POSIZ	SELECTOR SWITCH -4 POSITIONS-	8434550	•	•	•	•	•	•	•	•	•	•	•	•				
259	MARCHIO BAXI	BAXI BRAND	5657100	•	•	•	•	•	•	•	•	•	•	•	•				
262	CHIUSURA F.FASTPOINT 0191.AA01	FASTENING (FEMALE)	3400400	•	•	•	•	•	•	•	•	•	•	•	•				
263	CHIUSURA M.FASTPOINT 0194.AA01	FASTENING (MALE)	3400390	•	•	•	•	•	•	•	•	•	•	•	•				
264	PRESSOSTATO GAS DUNGS GW50 FC3	GAS PRESSURE SWITCH -DUNGS-	3604220									•							
267	CAPPELLO CALDAIA 3E 039 GRIGIO	TOP PANEL -3E-	3108820	•															
267	CAPPELLO CALDAIA 4E 039 FF	TOP PANEL -4E-	3109140										•	•					
267	CAPPELLO CALDAIA 4E GRIGIO	TOP PANEL -4E FF-	3108830		•	•													
267	CAPPELLO CALDAIA 5E 039 FF	TOP PANEL -5E-	3109150												•	•			
267	CAPPELLO CALDAIA 5E GRIGIO	TOP PANEL -5E FF-	3108840				•	•											
267	CAPPELLO CALDAIA 6E 039	TOP PANEL -6E-	3108850						•										
267	CAPPELLO CALDAIA 7E 039 GRIGIO	TOP PANEL -7E-	3108860							•									
267	CAPPELLO CALDAIA 9E 039 GRIGIO	TOP PANEL -9E-	3108870									•							
268	CHIUSURA F.FASTPOINT 0193.AA01	FASTENING (FEMALE)	3400380	•	•	•	•	•	•	•	•	•	•	•	•				
269	CHIUSURA M.FASTPOINT 0192.AA01	FASTENING (MALE)	3400410	•	•	•	•	•	•	•	•	•	•	•	•				
284	PERNO POTENZIOMETRO	POTENTIOMETER PIN	5405990	•	•	•	•	•	•	•	•	•	•	•	•				
400	TAPPO G3/8	PLUG G3/8	5205940										•	•					
519	GEMMA SEGNALEZIONE LUNA	SIGNAL GLASS	5407780	•	•	•	•	•	•	•	•	•	•	•	•				
525	CONNETTORE NAC-SIT 0504014	SIT IGNITER -NAC-	8419060	•	•	•	•	•	•	•	•	•	•	•	•				
527	TAPPO LUNA MONOTERMICA	PLASTIC PLUG	5408000	•	•	•	•	•	•	•	•	•	•	•	•				
530	RINFORZO AD U ANTERIORE 039 FF	U-SHAPED FRONTAL SUPPORT -FF-	3108270										•	•	•	•			

# SLIM - ONLY HEATING -

Pos.	Descrizione	Code	WSPB431153010-1 - SLIM L 150 I WSPB43123010-1 - SLIM L 200 I 4E WSPB431233470-1 - SLIM L 230 IN 4E WSPB431369010-1 - SLIM L 300 I 4E WSPB431303470-1 - SLIM L 300 IN 4E WSPB431403470-1 - SLIM L 300 IN 5E WSPB431463470-1 - SLIM L 400 IN 6E WSPB431623470-1 - SLIM L 490 IN 7E WSPB433233010-1 - SLIM L 620 IN 9E WSPB433233470-1 - SLIM L 230 FI 4E WSPB433303010-1 - SLIM L 300 FI WSPB433303470-1 - SLIM L 300 FI IN												01/05/2004			
			SLIM 01	SLIM 01	SLIM 02	SLIM 01	SLIM 02	SLIM 03	SLIM 03	SLIM 03	SLIM 04	SLIM 05	SLIM 04	SLIM 05	From serial number	To serial number	Inter-changeable	
531	RINFORZO AD U POSTER. 039 FF	U-SHAPED REAR SUPPORT -FF-	3108290															
532	SQUADRETTA POSIZ. CORPO 039 FF	EXCHANGER POSITIONING SUPPPORT	3108280															
533	GUARNIZIONE C.S. 20X5 L=808 MM	SEALED CHAMBER GASKET 20X5 L=808	3401500															
534	GUARNIZIONE C.S. 20X5 L=300 MM	SEALED CHAMBER GASKET 20X5 L=300	3401480															
535	DISTANZIALE ANT G1 1/4-G1/2 FF	FRONTAL SPACER G1 1/4-G1/2 -FF-	3202840															
535	DISTANZIALE ANT. 039 FF G1 1/4	FRONTAL SPACER G1 1/4 -FF-	3202820															
536	GUARNIZIONE G11/4 41,5X56X3	GASKET G1 1/4 41,5X56X3	3400530	•	•	•	•	•	•	•	•	•	•	•	•	•	•	•
537	TAPPO G11/4 DS C/FORO G1/2 ZN	PLUG G1 1/4 (WITH HOLE G1/2)	3101570	•	•	•	•	•	•	•	•	•	•	•	•	•	•	•
538	DISTRIBUTORE PORTATA 3E PV-PVE	FLOW DISTRIBUTOR -3E-	3101210	•														
538	DISTRIBUTORE PORTATA 4E PV-PVE	FLOW DISTRIBUTOR -4E-	3101220		•													
538	DISTRIBUTORE PORTATA 4E S	FLOW DISTRIBUTOR -4E N-	3101190			•												
538	DISTRIBUTORE PORTATA 5E PV-PVE	FLOW DISTRIBUTOR -5E-	3101230				•											
538	DISTRIBUTORE PORTATA 6-10E S	FLOW DISTRIBUTOR -6/7/9E-	3101200						•	•	•							
539	MANICOTTO POSTERIORE 039 FF	REAR COUPLING BOX	3616890											•	•	•	•	
540	TAPPO G3/4 CIECO ZN	PLUG G3/4	3101590			•		•	•	•	•	•	•	•	•	•	•	
541	SQUADR. FISSAGGIO CAPP A 039 FF	DRAUGHT DIVERTER FIXING SUPPORT	3108330											•	•	•	•	
542	SQUADRETTA X GUARN.TUBO AL.GAS	SUPPORT FOR GAS PIPE GASKET	3108460											•	•	•	•	
543	TUBO MANDATA BOLLITORE 039 FF	CONNECTING PIPE (FOR SAFETY VALVE)	3616910											•		•		
544	GUARNIZIONE G3/4 26,5X36X3FAST	GASKET G3/4 26,5X36X3	3401140			•		•	•	•	•	•	•	•	•	•	•	
545	PARETE ANT. CS FF S/ACC2000	SEALED CHAMBER FRONTAL PANEL -FIN-	3109170												•		•	
545	PARETE ANTERIORE CS	SEALED CHAMBER FRONTAL PANEL -FI-	3108770												•		•	
546	GUARNIZIONE C.S. 20X5 L=530 MM	SEALED CHAMBER GASKET L=530	3401490												•	•	•	•
547	GUARNIZIONE C.S. 20X5 L=90 MM	SEALED CHAMBER GASKET L=90	3401470												•	•	•	•
548	SQUADR.SX ANCORAG. C.S. 039 FF	LEFT ANCHOR SUPPORT (SEALED CHAMBER)	3108380												•	•	•	•
549	SQUADR.DX ANCORAG. C.S. 039 FF	RIGHT ANCHOR SUPPORT (SEALED CHAMB.)	3108370												•	•	•	•
550	SCHERMO RAMPA 039 IONO	RAMP SHIELD	3103160	•	•	•	•	•	•	•	•	•	•	•	•	•	•	
551	TAPPO CONICO G1/8 DIN 906	CONIC PLUG G1/8	3101520	•	•	•	•	•	•	•	•	•	•	•	•	•	•	
552	SQ.USCITA RAMPA GAS C.S.039 FF	GAS RAMP PLATE -FF-	3108440												•	•	•	•
553	GUARN. SQUAD. USCITA RAMPA GAS	GASKET FOR GAS RAMP PLATE	3401510												•	•	•	•
554	GUARNIZIONE OVALE FLANGIA	FLANGE OVAL GASKET	3400470	•	•		•								•		•	
555	MANICOTTO MANDATA 039 FF	HEATING FLOW COUPLING BOX -FF-	3108450												•		•	
555	MANICOTTO MANDATA 039F	HEATING FLOW COUPLING BOX -FF-	3101390	•	•		•											
556	TAPPO G1/2 M CIECO ZN	PLUG G1/2 M	3101580	•	•		•								•		•	
559	TRONCHETTO G3/4 CARTELLATO 039	CONNECTING PIPE G3/4 (PUMP)	3101310	•	•		•								•		•	
566	GUARNIZIONE C.S. 15X8 L=293 MM	SEALED CHAMBER GASKET L=293	3401440												•	•		
567	GUARNIZIONE C.S. 15X8 L=300 MM	SEALED CHAMBER GASKET L=300	3401450												•	•	•	•
568	GUARNIZIONE C.S. 15X8 L=270 MM	SEALED CHAMBER GASKET L=270	3401430												•	•	•	•
569	GUARNIZIONE C.S. 15X8 L=373 MM	SEALED CHAMBER GASKET L=373	3401460													•	•	

# SLIM - ONLY HEATING -

Pos.	Descrizione	Code																01/05/2004		
			WSB431153010-1-SLIM1_150I	WSB43123010-1-SLIM1_230I	WSB431233470-1-SLIM1_230I_4E	WSB431369010-1-SLIM1_230IN4E	WSB431303470-1-SLIM1_300I_5E	WSB431403470-1-SLIM1_300IN5E	WSB431463470-1-SLIM1_400IN6E	WSB431623470-1-SLIM1_490IN7E	WSB43323010-1-SLIM1_620IN9E	WSB43323470-1-SLIM1_230FI4E	WSB433303010-1-SLIM1_230FIN	WSB433303470-1-SLIM1_300FI	WSB433303470-1-SLIM1_300FIN	From serial number	To serial number	Inter-changeable		
625	RIDUZIONE DA G1/2 A 1/8	REDUCTION FROM G1/2 TO G1/8	7144820	•	•	•	•	•	•	•	•	•	•	•	•	•				
626	MOLLAQ DI SICUREZ. SENS. FUMI	FLUE THERMOSTAT SPRING	8380760	•	•	•	•	•	•	•	•	•								
627	CONNETTORE CONFIGURAZ. SCHEDA	PCB CONNECTOR	8611750	•	•	•	•	•	•	•	•	•	•	•	•	•				
629	MORSETTIERA 2+12 POLI-PA 27WP-	TERMINAL BOARD -2+12 POLES-	8420770	•	•	•	•	•	•	•	•	•	•	•	•	•				
671	RUBINETTO SCARICO COPPER G1/2	DRAINING TAP G1/2	5646780	•	•	•	•	•	•	•	•	•	•	•	•	•				
999	CABL. B.T. + PRESS GAS 039I	GAS PRESS.SWITCH/LOW VOLTAGE WIRING	8611840									•						B414	N	
999	CABL. BASSA TENSIONE 039I MONO	LOW VOLTAGE WIRING	8611770	•	•	•	•	•	•	•	•		•	•	•	•		B414	N	
999	CABLAGGIO RETE SIT FI 039	POWER SUPPLY WIRING -FI-	8611800										•		•					
999	CABLAGGIO RETE SIT FIN 039	POWER SUPPLY WIRING -FIN-	8611810											•		•				
999	CABLAGGIO RETE SIT i 039	POWER SUPPLY WIRING -I-	8611780	•	•		•													
999	CABLAGGIO RETE SIT IN 039	POWER SUPPLY WIRING -IN-	8611790			•		•												
999	CABLAGGIO RETE SIT IN 6-7-9E	POWER SUPPLY WIRING -6/7/9E-	8611830						•	•	•									
999	CAVO ALIMENTAZIONE 3X1 L2500MM	POWER SUPPLY CABLE L=2500	8611010	•	•	•	•	•	•	•	•	•	•	•	•	•				
999	CAVO MASSE 039	EARTHING WIRING	8611760	•	•	•	•	•	•	•	•	•	•	•	•	•				

**BAXI**

**BAXI S.p.A.**  
**Via Trozzetti, 20**  
**36061 BASSANO DEL GRAPPA (VI)**  
**ITALY**  
**Tel. +390424517111**  
**Telefax +390424517379**  
**E-mail. [service@baxi.it](mailto:service@baxi.it)**